



Laundry Tower™ Single Unit Front Load 4.4 Cu. Ft. Washer & 8 Cu. Ft. Electric Dryer

Laundry Tower

Available Products: ELTE7300AW

Available Colors: White

Version: 11/23

Product Specifications

Washer		Washer Cycles	
Drum Material	Stainless Steel	Cycle Count	7
Maximum Spin Speed	1100 RPM	Clean Washer	Yes
Water Level Adjustment	Yes	Delicates	Yes
Washer Options		Fast Wash	Yes
Delay Start Time	1-12 Hours	Heavy Duty	Yes
Extended Refresh	Yes	Normal	Yes
Extra Rinse	Yes	Rinse and Spin	Yes
Stain Treat	Yes	Towels	Yes
Washer Spin Speeds		Soil Levels	
Spin Speed Selections	4	Extra Light	Yes
Max	Yes	Light	Yes
Medium	Yes	Normal	Yes
Low	Yes	Heavy	Yes
No Spin	Yes	Dryer	
Temperature Settings		Balanced Dry	Yes
Eco Cold	Yes	Drum Back Type	Painted Steel
Cool	Yes	Drum Material	Painted Steel
Warm	Yes	Dryness Level Selections	Yes
Hot	Yes	Lint Filter	Yes
Dispenser		Moisture Sensor	Yes
Bleach Dispenser	Yes	Dryer Options	
Detergent Dispenser	Yes	Delay Start Time	1-12 Hours
Fabric Softener Dispenser	Yes	Dry Boost	Yes
Prewash Detergent Dispenser	Yes	Extended Tumble	Yes
Dryer Cycles		Wrinkle Release	Yes
Cycle Count	7	Dryness Level	
Allergen	Yes	High	Yes
Delicates	Yes	Normal	Yes
Fast Dry	Yes	Low	Yes
Heavy Duty	Yes	Damp	Yes
Normal	Yes	Exterior	
Timed Dry Time	Yes	Door Latch	Yes
Towels	Yes	Reversible Door	Yes
Electrical Specifications		Electrical Specifications	
		Minimum Circuit Required	30 Amps
		Voltage Rating	208/240v

Laundry Tower™ Single Unit Front Load 4.4 Cu. Ft. Washer

Laundry Tower

& 8 Cu. Ft. Electric Dryer

Available Products: ELTE7300AW

Available Colors: White

Version: 11/23

Drying Temperatures

Low	Yes
Normal	Yes
High	Yes
Eco Dry	Yes

Controls

Child Lock	Yes
Cycle Status Lights	Yes
Delay Start	Yes
Estimated Time Remaining	Yes
Control Lock	Yes
How to Cancel	Key Combination
Pause Function	Yes
Power On/Off	Yes
Start	Yes

Dimensions and Volume

Height	76 1/4"
Width	27"
Depth	32"
Minimum Depth for Installation	36"
Washer Drum Capacity	4.4 Cu. Ft.
Dryer Drum Capacity	8 Cu. Ft.

Energy Data

Energy Efficiency	Tier 1
kWh/year	50 kWh
Water Usage/Year	4154 Gallons

General Specifications

Chime On / Chime Off	Yes
Leveling Legs	Yes
Prop 65 Label	Yes
Warranty - Labor	1 Year
Warranty - Parts	1 Year
Warranty - Motor	10 Years
Warranty - Tub	Lifetime

Performance Certifications and Approvals

CEE Tier	Tier 1
ENERGY STAR Certified	Yes
High Efficiency	Yes

Installation

Dryer Power Cord Included	No
Washer Power Cord Included	Yes

Certifications and Approvals

ADA Compliant	No
---------------	----

Safety Certifications and Approvals

UL Listed	Yes
-----------	-----

We reserve the right to change specifications or discontinue models without notice.

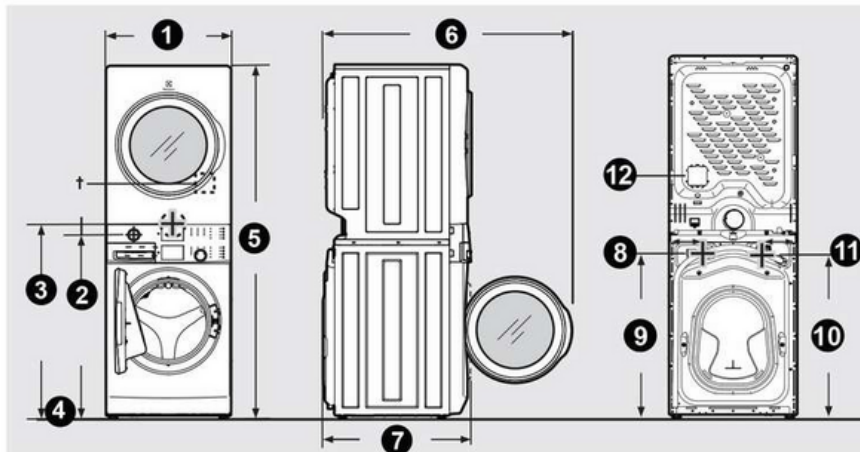
Electrolux Major Appliances, N.A.

USA • 10200 David Taylor Drive • Charlotte, NC 28262 • Charlotte, NC 28262 • 1-877-4electrolux (1-877-435-3287) • electrolux.com/en

CANADA • 5855 Terry Fox Way • Mississauga, ON L5V 3E4 • 1-800-265-8352 • electrolux.ca

Installation Diagram

Laundry Center Dimensions



¹ Dryer electrical supply on rear of unit.

NOTE

- Allow minimum 36" of depth space for proper installation with 90° quick turn elbow for venting.
- Connection of water inlet hose on steam laundry center adds 3/4 in. (2 cm) to installation depth.
- Power supply cord length on washer approximately 60 inches (152.5 cm).
- Drain hose length on washer approximately 59 inches (150 cm).
- Power supply cord length on gas laundry center or electric Canadian laundry center approximately 60 inches (152.5 cm).

Laundry Center Dimensions	
1. Unit width	27" (69 cm)
2. Height to gas supply pipe on rear of gas unit	39.7" (101 cm)
3. Centerline height for rear vent	41.8" (106 cm)
4. Floor line	--
5. Unit height	76.3" (194 cm)
6. Door clearance	53.9" (137 cm)
7. Unit depth	31.9" (81 cm)
8. Width distance to water connections	7.8" (20 cm)
9. Height to water connections	35.7" (91 cm)
10. Height to washer power connections	35.5" (91 cm)
11. Width distance to washer power connections	7.1" (18 cm)
12. Height to dryer electrical supply	48" (122 cm)